



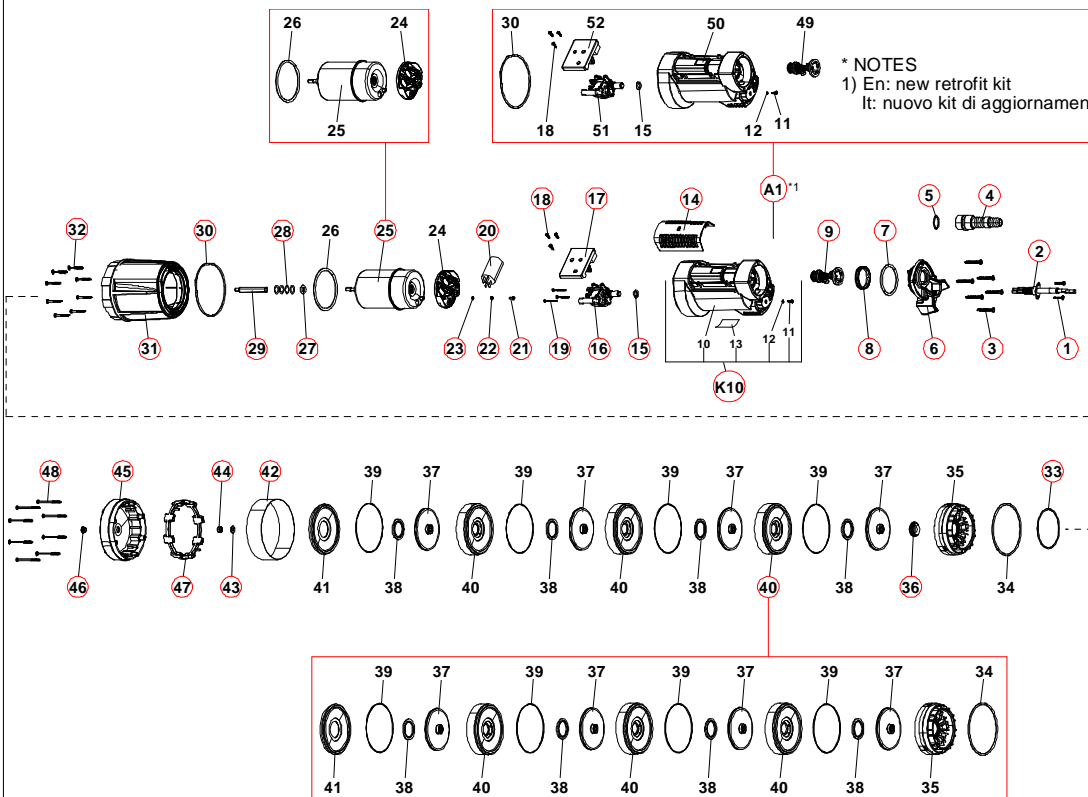
Attention: check the correspondence with the revision of your product

Model - Revision @ Code_Document version

DIVERTRON 1200 M - N.1.- - @ 60122626_c

Society
Reference
Phone
Fax
E-mail

Item	Q.ty	Item no.	Description	Unit pr.
A1	1	SP60153110	SPARE PARTS KIT - GROUP COVER DIVERTRON 1200	On req.
K10	1	60144672	COVER	On req.
1	2	P1100034	SCREW TC+ PH D4,7x25 INOX A2	On req.
2	1	S3600422	POWER CABLE 15MH07	On req.
3	6	P1100024	SCREW TC+ Ph d5,6x45 INOX A2	On req.
4	1	S3500044	S3500044 - HOSE ADAPTOR	On req.
5	1	P1200002	OR 3112 28,25 X 2,62 EPDM 70	On req.
6	1	S3501422	SP. PART COVER	On req.
7	1	P1200168	SP. PART RING	On req.
8	1	P1591089	SAND FILTER	On req.
9	1	SP60153090	SPARE PARTS KIT - VnR GRP. FOR DIVERTRONIC	On req.
14	1	S3501423	PLUG	On req.
15	1	P1200039	SP. PART JOINT O.RING	On req.
16	1	60111668	PRESSURE SWITCH 2.2-2.6 BAR	On req.
17	1	S3380126	&ELECTRONICS CARD (60145439)	On req.
18	3	P1100045	SCREW 3,5X16	On req.
19	3	P1100091	SCREW TC+ PH 3,5 X 35 INOX A2	On req.
20	1	P1360003	CAPACITOR UF12,5 V450	On req.
21	1	002437013	SCREW M4 X10 UNI 8112 ZNT C15	On req.
22	1	P1120003	ELASTIC WASHER TOOTH. d4 FOSF. DIN 6798A	On req.
23	1	P1120051	WASHER	On req.
25	1	SP60153097	(SP) MOTOR ASS.Y H80 SM-3/4G V230-240/50 W/CER.	On req.
27	1	P1120012	SP .PART WASHER	On req.
28	4	P1120048	SP. PART WASHER	On req.
29	1	S3100019	SP. PART HEXAGONAL SHAFT	On req.
30	1	P1200012	SP. PART JOINT O.RING	On req.
31	1	S3500736	BODY PUMP	On req.
32	8	P1100012	SCREW TC+ Ph d4,7x40 INOX A2	On req.
33	1	P1200020	SP. PART JOINT O.RING	On req.
36	1	SP60153096	SPARE PARTS KIT - V-RING 22 SPECIAL VITON ANTIF	On req.
40	3	SP60153092	SPARE PARTS KIT-COMPL. HYDRAULIC KIT FOR DIVERTRON 1200 50Hz	On req.
42	1	S3220006	SP. PART FILTER RING	On req.
43	1	P1120014	SP. PART WASHER	On req.





Attention: check the correspondence with the revision of your product

Model - Revision @ Code_Document version

DIVERTRON 1200 M - N.1.- - @ 60122626_c

Society
Reference
Phone
Fax
E-mail

Item	Q.ty	Item no.	Description	Unit pr.
44	1	P1110009	SP. PART NUT	On req.
45	1	S3500742	SP. PART BASE	On req.
46	1	P1230006	SP. PART CAP D12	On req.
47	1	60116379	SPACER DIVER 4 IMP.	On req.
48	8	P1100017	SCREW TC+ Ph d4,7x65 INOX A2	On req.

